



**NSA**

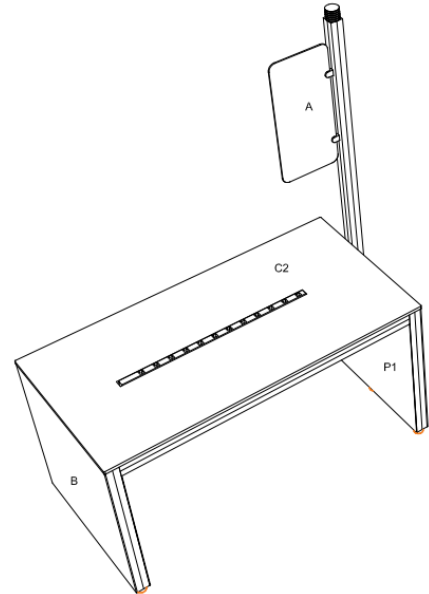
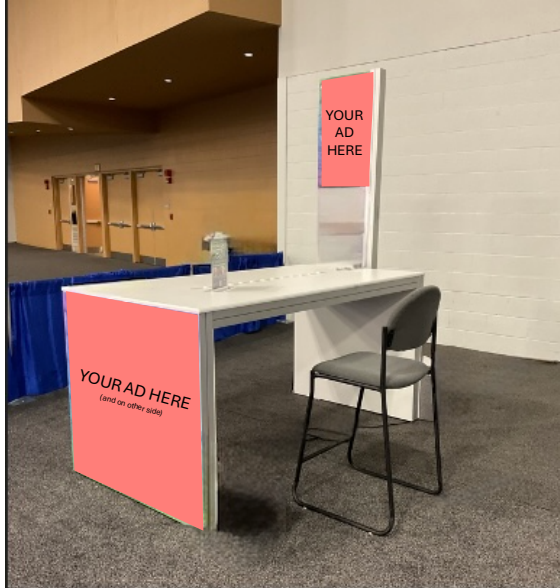
---

OMAHA, NEBRASKA  
JUNE 8-11

2026

2026 NATIONAL SHERIFFS' ASSOCIATION  
ANNUAL CONFERENCE  
**BRANDING GUIDE**

# CHARGING TABLE IN NSA HUB (EXHIBIT HALL)



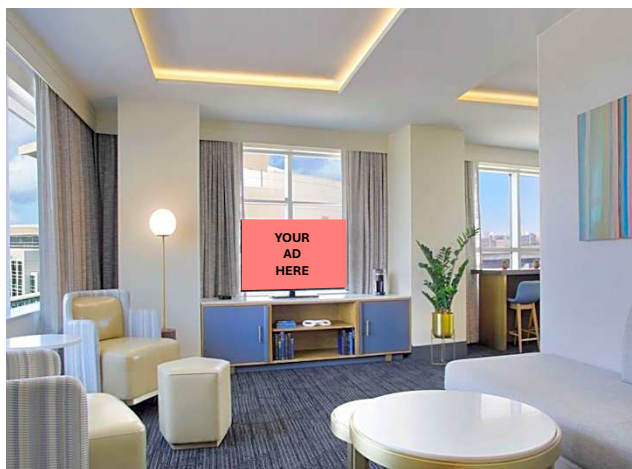
*Must be an Exhibitor*

**Sponsorship Cost:** \$5,000 for 1 Table\*  
\$9,000 for 2 Tables\*\*  
\$12,000 for 3 Tables\*\*\*

\*Includes 1 Conference Registration  
\*\*Includes 2 Conference Registrations  
\*\*\*Includes 3 Conference Registrations

Both sides of table and flag branded with your ad.

## IN-ROOM VIDEO (HOST HOTEL - HILTON OMAHA)



**Sponsorship Cost (5 Days):** \$7,500\*\* (Sunday-Thursday)  
**Sponsorship Cost (3 Days):** \$6,000\* (Monday-Wednesday)

\*\*Includes 2 Conference Registrations  
\*Includes 1 Conference Registration

## REGISTRATION AREA NOOKS (CONVENTION CENTER)



**Sponsorship Cost:** \$6,000 for 1 Nook\*  
\$9,500 for 2 Nooks\*\*

**Dimensions:** 47.5" H x 120" W

**Duration:** 5 Days (Sunday-Thursday)

\*Includes 1 Full Conference Registration  
\*\*Includes 2 Full Conference Registration

## REGISTRATION AREA METERBOARD (CONVENTION CENTER)

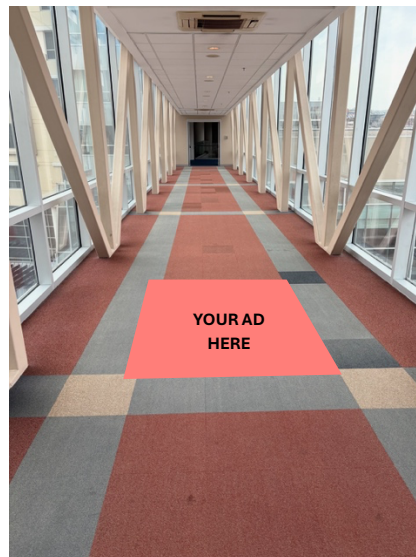


**Sponsorship Cost:** \$2,000

**Dimensions:** 84" H x 39" W (Double-Sided)

**Duration:** 5 Days (Sunday-Thursday)

## 3 SKYBRIDGE FLOOR STICKERS (HILTON TO CENTER)



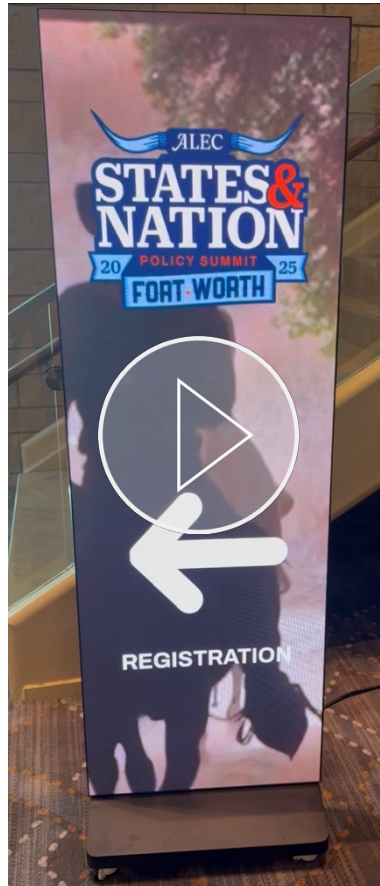
**Sponsorship Cost:** \$5,500\*

**Dimensions:** 48" H x 48" W

**Duration:** 5 Days (Sunday-Thursday)

\*Includes 1 Full Conference Registration

## REGISTRATION AREA LED TOTEM (CONVENTION CENTER)



**DOUBLE CLICK IMAGE ABOVE TO PRESS PLAY**

**Sponsorship Cost:** \$5,000\*

**Dimensions:** 77.2" H x 25.45" W

**Duration:** 5 Days (Sunday-Thursday)

\*Includes 1 Full Conference Registration